



# IJEAST

INTERNATIONAL JOURNAL  
OF ENGINEERING APPLIED SCIENCE  
AND TECHNOLOGY



**VOLUME : 6    ISSUE : 3    Print / Issue Publication Date: 16-Sep-2021**



**ISSN : 2455-2143**



**DOI : 10.33564/IJEAST.2021.v06i03.044**

Indexed In



[WWW.IJEAST.COM](http://WWW.IJEAST.COM)

[editor@ijeast.com](mailto:editor@ijeast.com)

# A REVIEW OF LOW VOLTAGE AND LOW POWER CMOS ADDERS USING VLSI DESIGN IN VERILOG/VHDL

Lokesh S

Department of Electrical and Electronics Engineering  
University College of Engineering, BIT campus,  
Anna University, Trichy, Tamil Nadu, India.

**Abstract** - The dominant portion of power dissipation in CMOS adder circuits, due to logic transitions, varies as the square of the supply, significant savings in power dissipation may be exacted by operating with reduced supply voltage. If the supply voltage is reduced while threshold voltage stays same, the noise margins will reduce. Addition is a crucial process because it usually involve carry ripple steps which must propagate a carry signal from each bit to it's higher bit position. This results in a substantial circuit delay. The adder which lies in the crucial delay path will effectively determine the system overall speed. To improve noise margins, the threshold voltages must also be made smaller. However sub-threshold leakage current increases exponentially when threshold voltage is reduced. The higher static dissipation may then offset the reduction in transitions portion of the dissipation. Hence the devices needed to have threshold voltages that maximizes the net reduction in the dissipation. Addition is an obligatory operation that is crucial to processing the fundamental arithmetic operations. Due to the potential versatility of adders in this contemporary research field, the existing adders and adder designs currently intended for future low voltage and low power environments. This can be achieved by the CMOS adders namely Parallel Adder, Ripple Carry Adder(RCA), Carry Look Ahead Adder(CLA), Carry Select Adder(CSL), Carry Save Adder(CSA), Carry Skip Adder(CSK), Conditional Sum Adder(COS).

**Keywords** – Parallel Adder, Ripple Carry Adder, Carry Look Ahead Adder, Carry Select Adder, Carry Save Adder, Carry Skip Adder, Conditional Sum Adder, Circuit Delay, Power Dissipation, Low Voltage, Low Power.

## I. INTRODUCTION

Low Power Design of VLSI circuits have been identified as critical technological need in recent years due to high demand for portable consumer electronic products. In this regard many innovative designs for basic logic functions using pass transistors and transmission gates have appeared in literature

recently. These designs relied on the intuition and cleverness of the designers, without involving formal design procedures. Hence, a formal design procedure for realizing a minimal transistor CMOS pass network XOR-XNOR cell, that is fully compensated for threshold voltage drop in MOS transistors presented. This new cell can reliably operate within certain bounds when the power voltage is scaled down, as long as due consideration is given to the sizing of the MOS transistors during the initial design step. Low Power design is required to reduce the power in high-end systems with huge integration density and thus improve the speed of operation.

## II. 4 BIT PARALLEL ADDER

A single full adder performs the addition of two one bit numbers and an input carry. But a Parallel Adder is a digital circuit capable of finding the arithmetic sum of two binary numbers that is greater than one bit in length by operating on corresponding pairs of bits in parallel. It consists of 4 full adders connected in a chain where the output carry from each full adder is connected to the carry input of the next higher order full adder in the chain. Parallel adders normally incorporate carry look ahead logic to ensure that carry propagation between subsequent stages of addition does not limit addition speed.

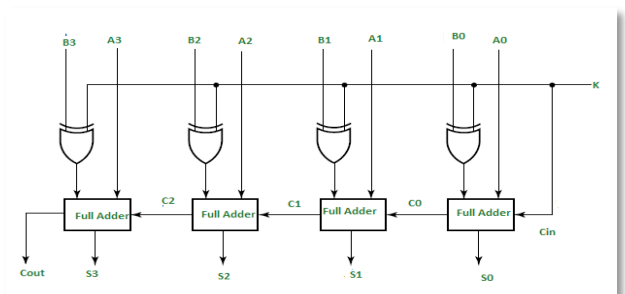


Fig.1 Logic Diagram of 4 Bit Parallel Adder

### A) Boolean Equation of 4 Bit Parallel Adder:

For the SUM (S) bit:

$$\text{SUM} = (A \text{ XOR } B) \text{ XOR } C_{in} = (A \oplus B \oplus C_{in})$$

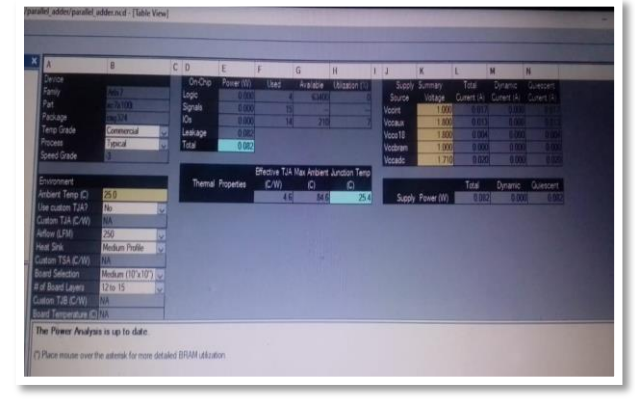
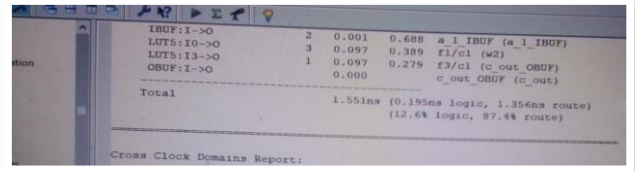


For the CARRY-OUT (Cout) bit:

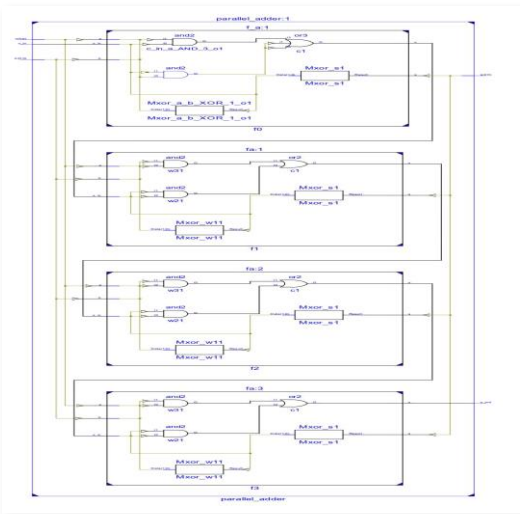
$$\text{CARRY-OUT} = (A \text{ AND } B) \text{ OR } (B \text{ AND } C_{in}) \text{ OR } (C_{in} \text{ AND } A).$$

**B) Truth Table of 4 Bit Parallel Adder**

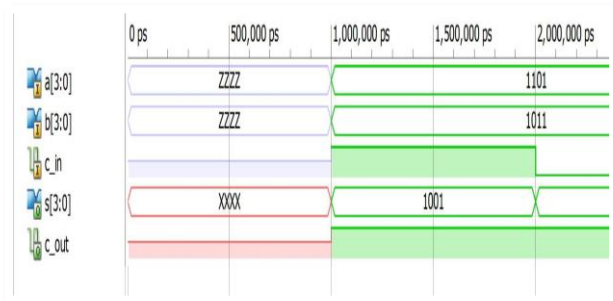
A	B	Cin	Sum	C
0	0	0	0	0
0	0	1	1	0
0	1	0	1	0
0	1	1	0	1
1	0	0	1	0
1	0	1	0	1
1	1	0	0	1
1	1	1	1	1



**C) Gate level Design of 4 Bit Parallel Adder**



**D) Output of 4 Bit parallel Adder**



**E) 4 Bit Parallel Adder's Propagation Delay time simulated from synthesis report with XPower Simulation**

**III. 4 BIT RIPPLE CARRY ADDER (RCA)**

The basic unit of Ripple Carry Adder is a full adder. It can be extended indefinitely to any number by connecting the carry-out of the previous 1-bit Full Adder to the carry-in of the next 1-bit Full Adder. Of all the adder architectures RCA offers good performance, nonetheless, its delay characteristics depend heavily on the length of the carry propagation path, thus making it a relatively unfavorable choice for circuits with nonrandom input operands. The worst-case delay increases linearly with the length of the carry propagation path, which depends on number of bits processed by operands, n. Also the area of the adder is proportional to n. Therefore in situations when high speed performance is crucial and the minimum amount of hardware is underperforming, using a RCA in an arithmetic operation would be detrimental. One of the most serious drawbacks of this adder is that each full adder has to wait for the carry out of the previous stage to output steady state result. Therefore even if the adder has a value at its output terminal, it has to wait for the carry before the output reaches a correct value. Generally speaking the worst-case delay of RCA is when a carry signal transition ripples through all stages of adder chain from the least significant bit to the most significant bit, which is approximated by,

$$t = (n-1)t_c + t_s$$

$t_c$  = Delay through the carry stage

$t_s$  = Delay through the sum stage

n = no of bits of full adder

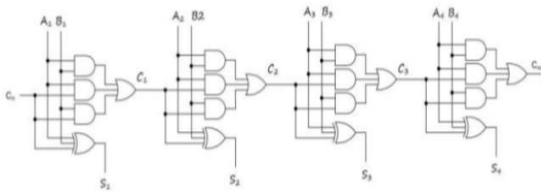
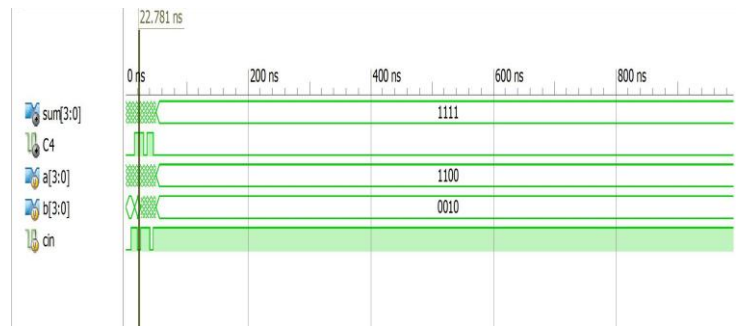


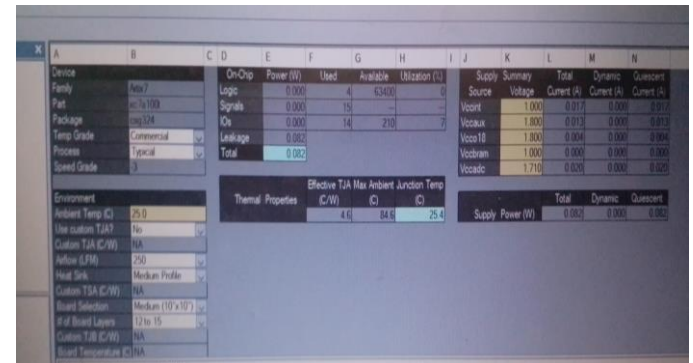
Fig.2 Logic Diagram of 4 Bit Ripple Carry Adder

D) Output of 4 Bit Ripple Carry Adder



E) 4 Bit Ripple Carry Adder Propagation Delay time simulated from synthesis report with XPower Simulation

Cell:in->out	fanout	Gate	Net	Logical Name (Net Name)
IBUF:I->O	2	0.001	0.688	a_1_IBUF (a_1_IBUF)
LUTS:I0->O	3	0.097	0.389	FA1/carry1 (carry_2)
LUTS:I3->O	1	0.097	0.279	FA3/carry1 (C4_OBUF)
OBUF:I->O		0.000		C4_OBUF (C4)
<b>Total</b>		<b>1.551ns</b>	<b>(0.195ns logic, 1.356ns route)</b>	<b>(12.6% logic, 87.4% route)</b>



A) Boolean Equation of 4 Bit Ripple Carry Adder

$$G_i = A_i B_i \quad \text{--carry generate of } i^{\text{th}} \text{ stage}$$

$$P_i = A_i \oplus B_i \quad \text{--carry propagate of } i^{\text{th}} \text{ stage}$$

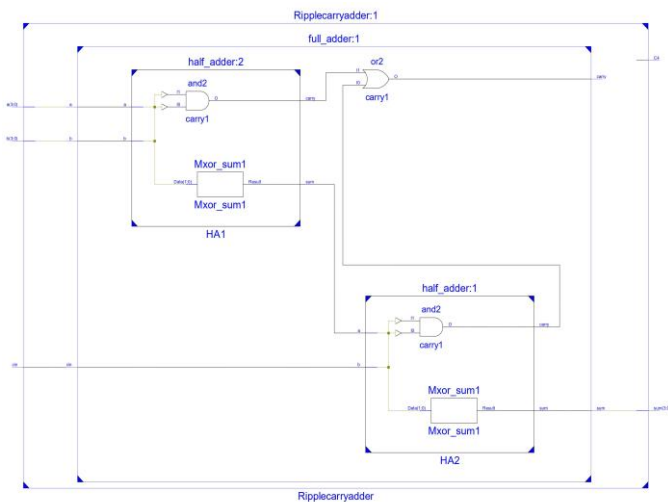
$$S_i = P_i \oplus C_i \quad \text{--sum of } i^{\text{th}} \text{ stage}$$

$$C_{i+1} = G_i + P_i C_i \quad \text{--carry out of } i^{\text{th}} \text{ stage}$$

B) Truth Table of 4 Bit Ripple Carry Adder

A <sub>1</sub>	A <sub>2</sub>	A <sub>3</sub>	A <sub>4</sub>	B <sub>4</sub>	B <sub>3</sub>	B <sub>2</sub>	B <sub>1</sub>	S <sub>4</sub>	S <sub>3</sub>	S <sub>2</sub>	S <sub>1</sub>	Carry
0	0	0	0	0	0	0	0	0	0	0	0	0
0	1	0	0	0	1	0	0	1	0	0	0	0
1	0	0	0	1	0	0	0	0	0	0	0	1
1	0	1	0	1	0	1	0	0	1	0	0	1
1	1	0	0	1	1	0	0	1	0	0	0	1
1	1	1	0	1	1	1	0	1	1	0	0	1
1	1	1	1	1	1	1	1	1	1	1	0	1

C) Gate Level Design of 4 Bit Ripple Carry Adder



IV. 4 BIT CARRY LOOK AHEAD ADDER (CLA)

It is an adder with time propagation duration in  $O(\log n)$  and whose area size requirement is in  $O(n \log n)$ . The delay time of CLA architecture therefore exhibits logarithmic dependency on the size of the adder, which allows the propagation delay of the carry signal to be minimized.

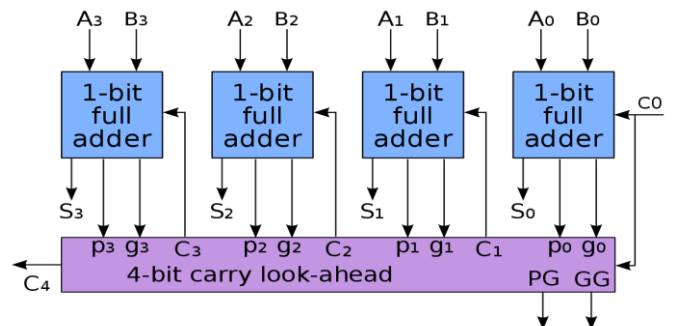




Fig.3 Logic Diagram of 4 Bit Carry Look Ahead Adder

$C_i$  has to overcome 2 gates (AND & OR) in order to produce  $C_{i+1}$ .

**Carry Propagate = 2n**

n - number of bits.

**For 4 bit adder n =4 ; therefore Carry Propagate = 8**

It has to overcome **8 gate levels** to produce resultant carry.

The Propagate P and generate G in a full-adder, is given as:

**$P_i = A_i \text{ XOR } B_i$**  (Carry propagate)

**$G_i = A_i \cdot B_i$**  (Carry generate)

The new expressions for the output sum and the carryout are given by:

**$S_i = P_i \text{ XOR } C_{i-1}$**

**$C_{i+1} = G_i + P_i C_i$**

These equations show that a carry signal will be generated in two cases:

- 1) if both bits  $A_i$  and  $B_i$  are 1
- 2) if either  $A_i$  or  $B_i$  is 1 and the carry-in  $C_i$  is 1.

The general expression is

**$C_{i+1} = G_i + P_i G_{i-1} + P_i P_{i-1} G_{i-2} + \dots + P_i P_{i-1} \dots P_2 P_1 G_0 + P_i P_{i-1} \dots P_1 P_0 C_0$**

**A) Boolean Equation of 4 Bit Carry Look Ahead Adder**

$P_i = A_i \text{ XOR } B_i$  Carry propagate

$G_i = A_i \cdot B_i$  Carry generate

$S_i = P_i \text{ XOR } C_i$

$C_{i+1} = G_i \text{ OR } P_i \text{ AND } C_i$

$C_0$  - (1) to be given as an input

$C_1 = G_0 + P_0 \cdot C_0$  -(2)

$C_2 = G_1 + P_1 \cdot G_0 + P_1 \cdot P_0 \cdot C_0$  -(3)

$C_3 = G_2 + P_2 \cdot G_1 + P_2 \cdot P_1 \cdot G_0 + P_2 \cdot P_1 \cdot P_0 \cdot C_0$  -(4)

$C_4 = G_3 + P_3 \cdot G_2 + P_3 \cdot P_2 \cdot G_1 + P_3 \cdot P_2 \cdot P_1 \cdot G_0 + P_3 \cdot P_2 \cdot P_1 \cdot P_0 \cdot C_0$  -(5)

**B) Truth Table of 4 Bit Carry Look Ahead Adder**

**Design of 4-bit Carry Look ahead adder**

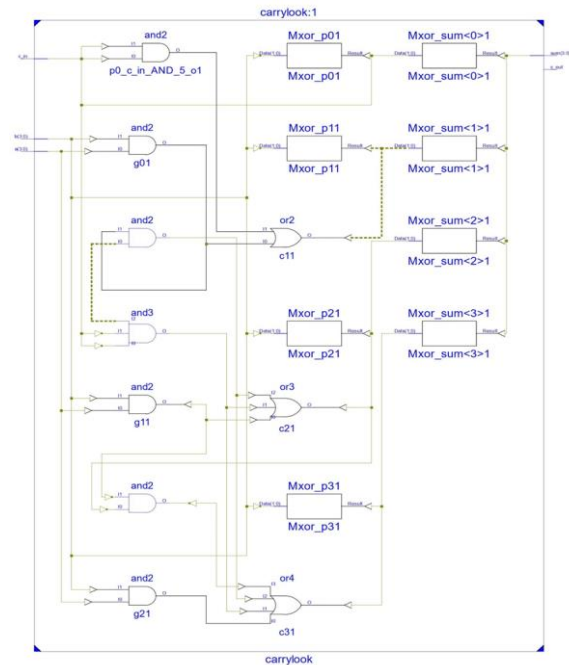
Improving Adder Performance

- Carry kill:  $k_i = \overline{x_i} \cdot \overline{y_i}$
- Carry propagate:  $p_i = x_i \oplus y_i$
- Carry generate:  $g_i = x_i \cdot y_i$
- Adder equations

$x_i$	$y_i$	$c_i$	$s_i$	$c_{i+1}$
0	0	0	0	0
0	0	1	1	0
0	1	0	1	0
0	1	1	0	1
1	0	0	1	0
1	0	1	0	1
1	1	0	0	1
1	1	1	1	1

$s_i = p_i \oplus c_i$        $c_{i+1} = g_i + p_i \cdot c_i$

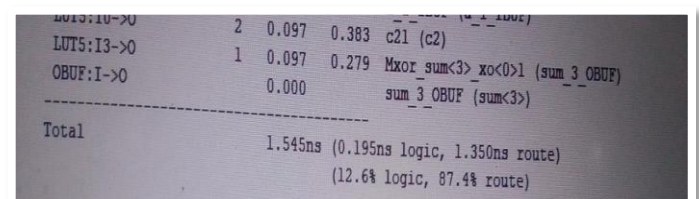
**C) Gate Level Design of 4 Bit Carry Look Ahead Adder**



**D) Output of 4 Bit Carry Look Ahead Adder**



**E) 4 Bit Carry Look Ahead Adder Delay time simulated from synthesis report with XPower Simulation**





#### V. 4 BIT CARRY SELECT ADDER (CSL)

It is a particular way to implement an adder that computes (n+1) bit as a sum of two (n) bit numbers. CSL adder is simple but faster than other adders. In CSL both the n-bit operands  $A_i$  and  $B_i$  are divided into  $k$  blocks of possibly different sizes. The additional cost of the CSL over the RCA is the duplicate carry chain and the select logic. Then CSL adder using a multiplexer, depending on the real carryout, the correct sum is chosen. The delay of n-bit carry select adder based on an m-bit CLA blocks can be given by the following equation when using constant carry number blocks,

$$T = t_{\text{seup}} + m t_{\text{carry}} + (n/m) t_{\text{mux}} + t_{\text{sum}}$$

And by the following equation when using successively incremented carry number blocks respectively,

$$T = t_{\text{seup}} + m t_{\text{carry}} + (2n)^{0.5} t_{\text{mux}} + t_{\text{sum}}$$

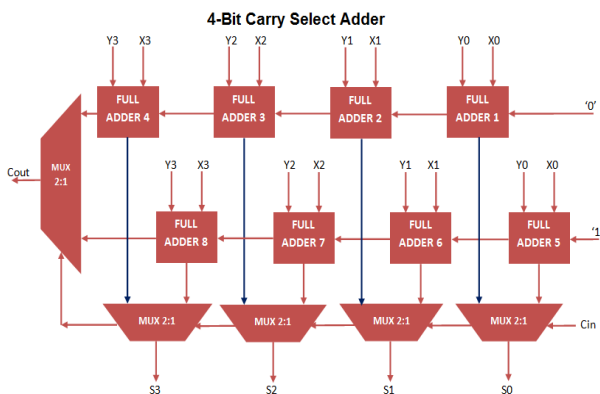
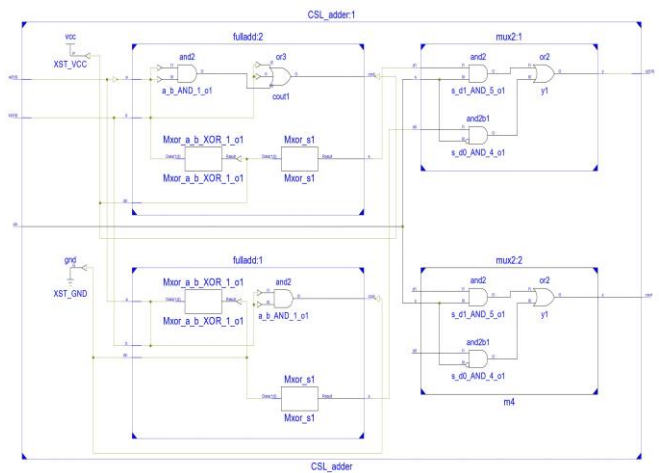


Fig. 4 Logic Diagram of 4 Bit Carry Select Adder

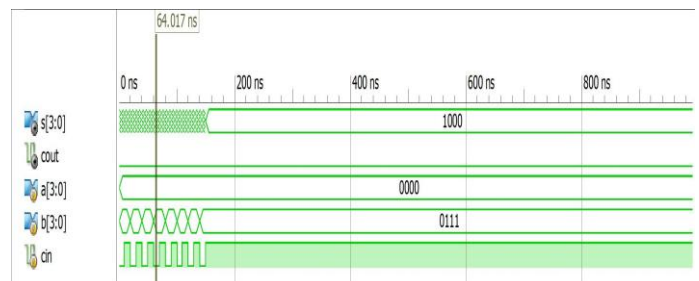
#### A) Truth Table of 4 Bit Carry Select Adder

Inputs			Outputs	
A	B	C	Sum	Carry
0	0	0	0	0
0	0	1	1	0
0	1	0	1	0
0	1	1	0	1
1	0	0	1	0
1	0	1	0	1
1	1	0	0	1
1	1	1	1	1

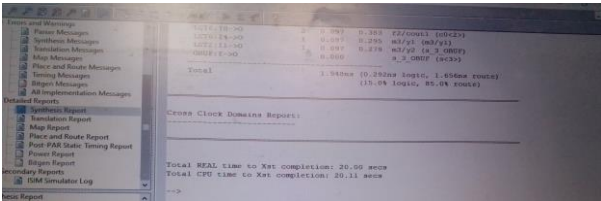
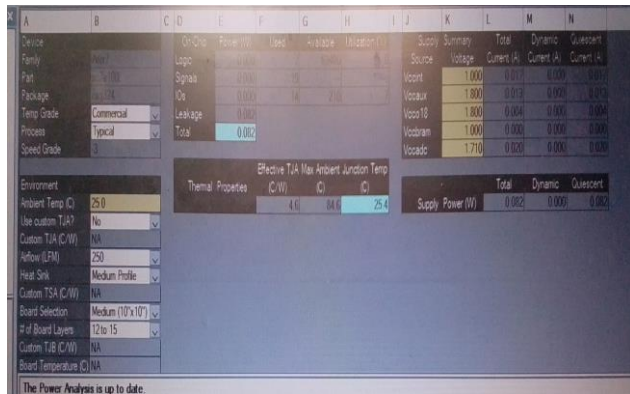
#### B) Gate Level Design of 4 Bit Carry Select Adder



#### C) Output of 4 Bit Carry Select Adder

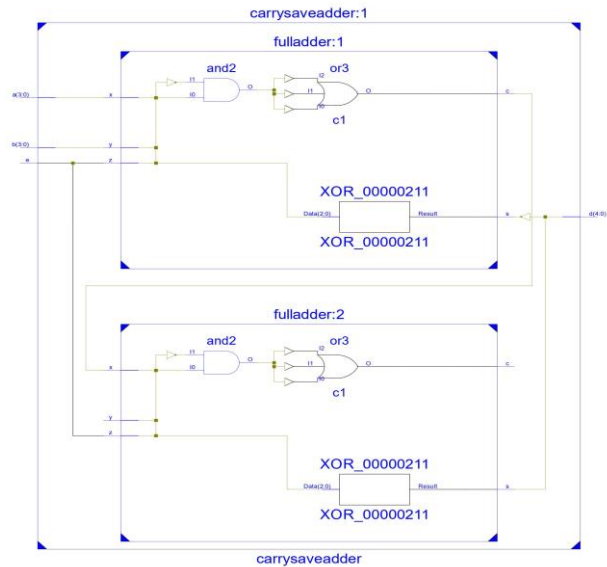


#### D) 4 Bit Carry Select Adder Propagation Delay time simulated from synthesis report with XPower Simulation

Device	Family	Logic	Power	Used	Available	Multiplication	Supply	Summary	Total	Dynamic	Quiescent
Score	Voltage	Current (A)	Current (A)	Current (A)							
1000	1.000	0.000	0.000	0.000	0.000	0.000	1.000	0.000	0.000	0.000	0.000
1000	1.800	0.000	0.000	0.000	0.000	0.000	1.800	0.000	0.000	0.000	0.000
1000	1.800	0.000	0.000	0.000	0.000	0.000	1.800	0.000	0.000	0.000	0.000
1000	1.000	0.000	0.000	0.000	0.000	0.000	1.000	0.000	0.000	0.000	0.000
1000	1.710	0.000	0.000	0.000	0.000	0.000	1.710	0.000	0.000	0.000	0.000

### B) Gate Level Design of 4 Bit Carry Save Adder



### VI. 4 BIT CARRY SAVE ADDER (CSA)

A CSA tree consists of CSA operators and one adder at the root of the tree. The CSA operators are used to transform an arbitrary number of operands in the addition process to produce two adding operands, after which the adder at the root of the CSA tree computes final sum. Unlike RCA, CLA, CSL adders, the CSA realizes the concurrent addition of multiple operands, which is a basic requirement of multiplication. Instead of using the 2-operand adders that necessitate the time consuming carry propagation to repeat several times, depending on the number of operands, the CSA's timing could be improved with a little increase or even a reduction in area. Time to obtain Summation is given by,

$$T = (k-2) \text{ AND } T_{\text{csa}} \text{ OR } T_{\text{cpa}}$$

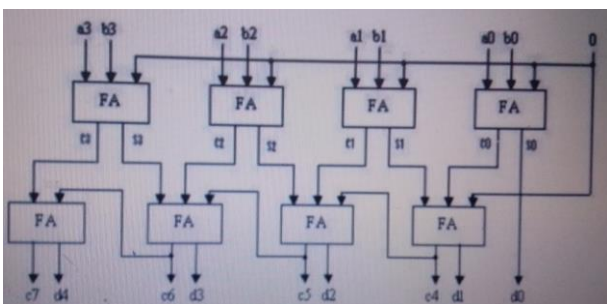


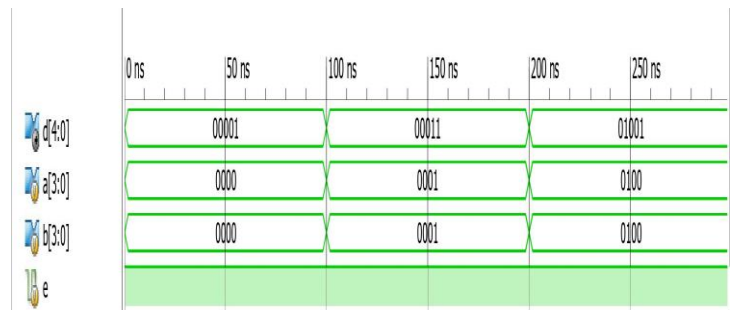
Fig.5 Logic Diagram of 4 Bit Carry Save Adder

#### A) Boolean Equation of 4 Bit Carry Save Adder

$$\text{SUM} = (A \text{ XOR } B) \text{ XOR } C_{\text{in}} = (A \oplus B \oplus C_{\text{in}})$$

$$\text{CARRY-OUT} = (A \text{ AND } B) \text{ OR } (B \text{ AND } C_{\text{in}}) \text{ OR } (C_{\text{in}} \text{ AND } A).$$

### C) Output of 4 Bit Carry Save Adder



### D) 4 Bit Carry Save Adder Propagation Delay time simulated from synthesis report with XPower Simulation

Cell:in->out	fanout	Gate Delay	Net Delay	Logical Name (Net Name)
IBUF:I->O	3	0.001	0.521	b_1_IBUF (b_1_IBUF)
LUT3:I0->O	2	0.097	0.697	fa5/XOR_0000021_xo<0>11
(fa5/XOR_0000021_xo<0>1)				
LUT6:I0->O	2	0.097	0.561	fa5/c1 (c2)
LUT6:I2->O	1	0.097	0.279	fa6/XOR_0000021_xo<0>1 (d_3_OBUF)
OBUF:I->O		0.000		d_3_OBUF (d<3>)
Total		2.350ns	(0.292ns logic, 2.058ns route)	(12.4% logic, 87.6% route)



### VII. 4 BIT CARRY SKIP ADDER (CSK)

A CSK adder is similar to how the MCC adder works, which is to reduce the carry propagation time by skipping over groups of successive adder stages. In general, with the assumption that the delay of the skip logic is equal to the carry propagation delay from one stage to another, the overall time of the carry propagation chain is calculated as follows,

$$T_{\text{carry}} = (K-1) + (n/K - 2) + (K-1) \text{ stages.}$$

K refers to an n-bit CSK with fixed block size.

The design of Carry Skip Adder that achieves low power dissipation and high performance operation. The CSK adder's delay and power dissipation are reduced by dividing the adder into variable-sized blocks that balance the delay of inputs to carry the chain. This grouping active power by minimizing extraneous glitches and transitions.

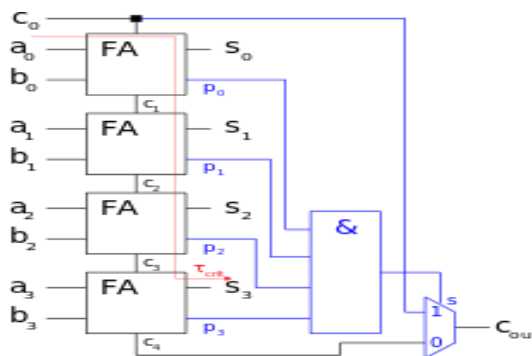


Fig.6 Logic Diagram of 4 Bit Carry Skip Adder

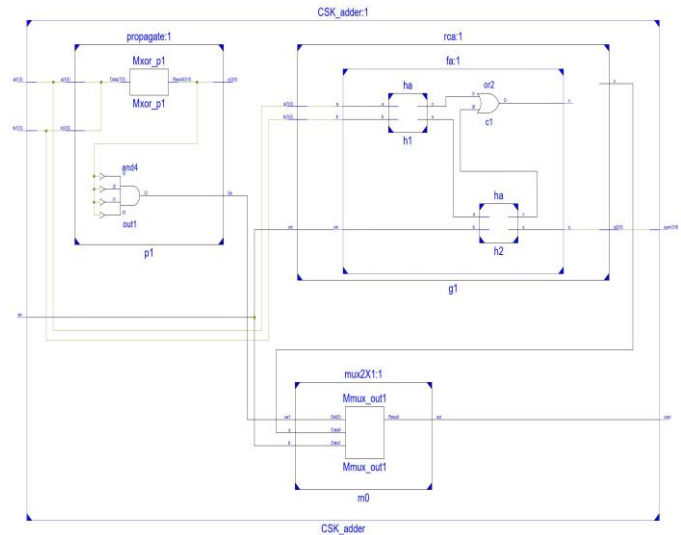
#### A) Boolean Equation of 4 Bit Carry Skip Adder

$$P_i = A_i \text{ XOR } B_i$$

$$S_i = P_i \text{ XOR } C_i$$

$$C_{i+1} = (A_i \text{ AND } B_i) \text{ OR } (P_i \text{ AND } C_i)$$

#### B) Gate Level Design of 4 Bit Carry Skip Adder



#### C) Output of 4 Bit Carry Skip Adder



#### D) 4 Bit Carry Skip Adder Propagation Delay time simulated from synthesis report with XPower Simulation

Cell:in->out	fanout	Gate Delay	Net Delay	Logical Name (Net Name)
IBUF:I->O	5	0.001	0.530	b_0_IBUF (b_0_IBUF)
LUT3:I0->O	1	0.097	0.295	g1/g3/c1 (g1/g3/c)
LUT5:I4->O	2	0.097	0.697	g1/g3/c2 (g1/c2)
LUT6:I0->O	1	0.097	0.279	m0/Mmux_out1 (cout_OBUF)
OBUF:I->O	0	0.000		cout_OBUF (cout)
<b>Total</b>		<b>2.094ns</b>	<b>(0.292ns logic, 1.802ns route)</b>	<b>(13.9% logic, 86.1% route)</b>



Device	On-Chip Power (W)	Used	Available	Utilization (%)	Supply Source	Summary Voltage	Total Current (A)	Dynamic Current (A)	Quiescent Current (A)
Family	Logic	0.000	6	63400	0	1.000	0.017	0.000	0.017
Part	Signals	0.000	18	---	---	1.800	0.013	0.000	0.013
Package	I/Os	0.000	14	210	7	1.800	0.004	0.000	0.004
Temp Grade	Leakage	0.002	---	---	---	1.000	0.000	0.000	0.000
Process	Total	0.002	---	---	---	1.710	0.020	0.000	0.020
Speed Grade									

$$S_i^0 = A_i \oplus B_i$$

$$C_{i+1}^0 = A_i \cdot B_i$$

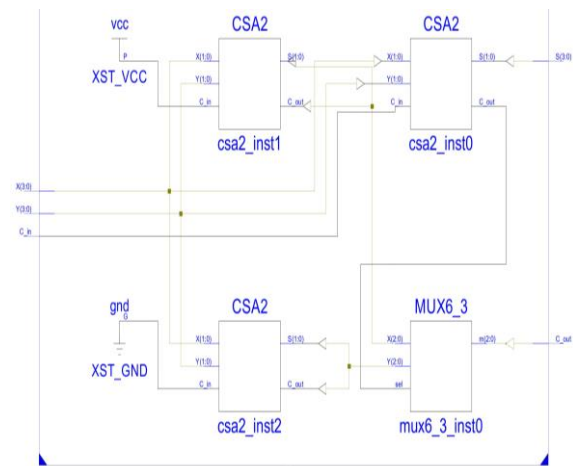
$$S_i^1 = \overline{A_i \oplus B_i}$$

$$C_{i+1}^1 = A_i + B_i$$

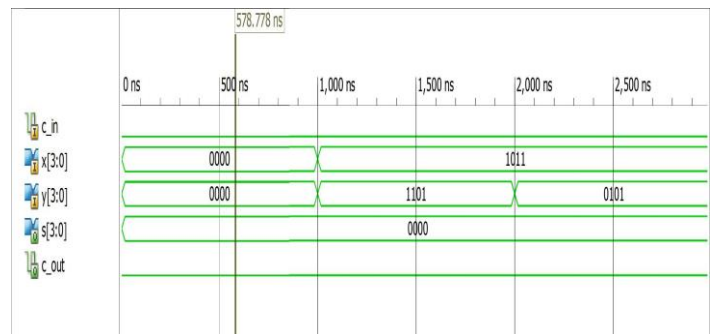
VIII. 4 BIT CONDITIONAL SUM ADDER (COS)

The underlying principle of this architecture is the parallel computation of two sets of conditional sums and conditional carries for each bit position. To minimize the computation time, the given 'n' bits are divided into smaller groups so that the serial carry propagation within the groups can be carried out in parallel. The COS approach is very similar to CSL. The major difference is that in COS the division of the n bits into sub-blocks continues until the extreme of having only single-bit adders if n is an integer power of 2. The COS scheme can still be implemented even if n is not a power of 2 because sub-blocks of equal sizes are not compulsory.

B) Gate Level Design of 4 Bit Conditional Sum Adder



C) Output of 4 Bit Conditional Sum Adder



D) 4 Bit Conditional Sum Adder Propagation Delay time simulated from synthesis report with XPower Simulation

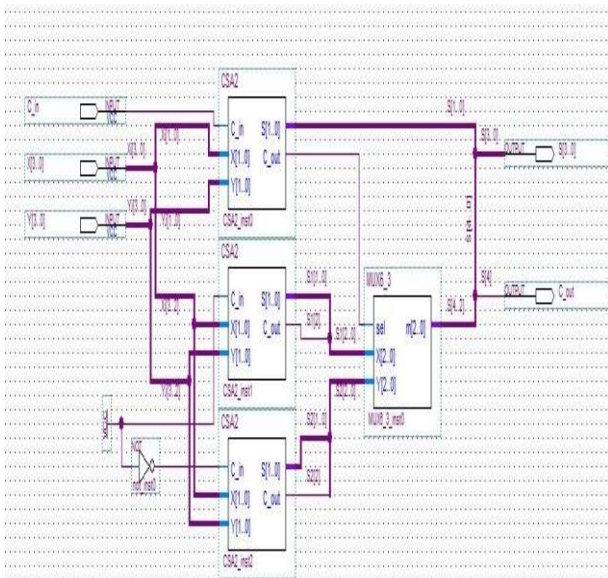
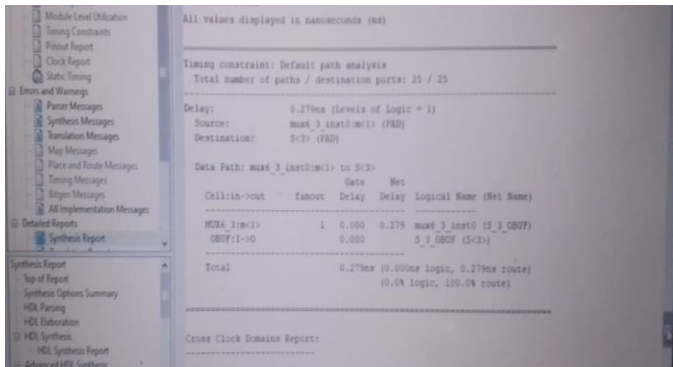


Fig. 7 Logic Diagram of 4 Bit Conditional Sum Adder

A) Boolean Equation of 4 Bit Conditional Sum Adder



### X. CONCLUSION

CMOS Adders [Parallel Adder, RCA Adder, CLA Adder, CSL Adder, CSA Adder, CSK Adder, COS Adder] has been analyzed which exhibits a higher speed and lower power consumption compared with those of the conventional one. Delay, Power and area are the constituent factors in VLSI design that limits the performance of any circuit. The proposed design of all the CMOS Adders were simulated and synthesized in Xilinx ISE 14.7 and the source code is written in Verilog / VHDL, and the Power analysis is simulated in X Power Analysis. Since the conditional sum adder deals with carry generation and sum generation separately, and the carry propagation is performed faster than the sum propagation, its operation speed can be improved with a propagation delay of 0.279 ns with a power consumption of 0.080 watts. The speed enhancement was achieved by modifying the structure through the complementary transmission gate logic. The static and dynamic power dissipation in CMOS Adders were minimized by VLSI design. The Propagation Delay has been reduced and thus Performance characteristics for these adders are tabulated.

### XI. REFERENCE



### IX. PERFORMANCE EVALUATION OF CMOS ADDERS

An overall performance evaluation and comparison, to rank the adders has been carried out based on 1.2 micro-meter CMOS technology.

LOGIC STYLE	INPUT BIT	AVERAGE INPUT VOLTAGE (V)	AVERAGE INPUT POWER (W)	PROPAGATION DELAY (ns)
Parallel Adder	4 Bit	1.7	0.082	1.551
Ripple Carry Adder	4 Bit	1.7	0.082	1.55
Carry Look Ahead Adder	4 Bit	1.7	0.081	1.545
Carry Select Adder	4 Bit	1.7	0.086	1.948
Carry Save Adder	4 Bit	1.7	0.082	2.350
Carry Skip Adder	4 Bit	1.7	0.082	2.094
Conditional Sum Adder	4 Bit	1.7	0.080	0.279

Fig.8 Performance Comparison of Different Logic Style CMOS Adders.

- [1] K.Roy and S.C.Prasad, *Low Power CMOS – VLSI Circuit Design*, Wiley Interscience Publications, New York, 2000.
- [2] A.P. Chandrakashan, “Low Power CMOS Digital Design”, *IEEE Journal of Solid State Circuits*, Vol.27, No.4, pp.473-483, April 1992.
- [3] Kiat -Seng Yeo and Kaushik Roy, *Low Voltage, Low Power VLSI Subsystems*, McGraw Hill Publications, New York, 2005
- [4] V.De, S. Borkar, “Technology and Design Challenges for Low Power and High Performance” in *proceedings of International Symposium on Low Power Electronics and Design*, pp.163-168, August 1999.
- [5] Stefan Sjöholm and Lennart Lind, *VHDL for designers*, Prentice Hall, 1997.
- [6] Vitit Kantabutra, “Designing optimum One-Level Carry-Skip Adders” *IEEE Transactions on Computers*, Vol.42, No.6, June 1993.
- [7] Luigi Dadda and Vincenzo Piuri, “*Pipelined adders*” *IEEE Transactions on Computers*, Vol.45, No.3, March 1996.
- [8] M. Morris Mano, *Digital Design second edition*, Prentice Hall, 1991.
- [9] Carver Mead and Lynn Conway, *Introduction to VLSI design*, Addison-Wesley Company, 1980.
- [10] Jien-Chung Lo, “A fast binary adder with conditional carry generation” *IEEE Transactions on Computers*, Vol.46, No.2, February 1997.



- [11] N.H.E. Weste and K. Eshraghian, *Principle of CMOS VLSI Design*, Addison-Wesley Company, 1992.
- [12] Peter Pirsch, *Architectures for digital signal processing*, John Wiley & Sons, 1998.
- [13] A. Guyot, B. Hochet and J.M. Muller, “A way to build efficient Carry-Skip adders”, *IEEE Transactions on Computers*, pp.1144-1152, October 1987.
- [14] S. Brown, Z. Verasenic, “Fundamentals of Digital Logic with VHDL,” Mc. Graw Hill, 2nd edition, 2004.
- [15] Y.Taur and T.H Ning, *Fundamentals of Modern VLSI Devices*, New York, Cambridge University Press, 1998.

# IJEAST

INTERNATIONAL JOURNAL  
OF ENGINEERING APPLIED SCIENCE  
AND TECHNOLOGY

## ABOUT IJEAST

International Journal of Engineering Applied Science and Technology (IJEAST) is a peer-reviewed, open access journal that publishes high-quality research papers in the field of Engineering, Applied Science and Technology.

IJEAST aims to provide a platform for researchers, academicians, and professionals to share their innovative ideas, research findings, and practical experiences with the global scientific community.

## FOCUS AREAS

- Engineering
- Applied Science
- Technology
- Innovation & Development
- Interdisciplinary Studies



### PEER REVIEWED

All submissions are rigorously peer reviewed to ensure quality.



### OPEN ACCESS

Free and unrestricted access to research for all.



### GLOBAL REACH

Connecting researchers and professionals worldwide.



### TIMELY PUBLICATION

We ensure a swift and efficient publication process.



For more information, visit our website

[www.ijeast.com](http://www.ijeast.com)



INTERNATIONAL JOURNAL  
OF ENGINEERING APPLIED SCIENCE  
AND TECHNOLOGY

✉ [editor@ijeast.com](mailto:editor@ijeast.com)

🌐 [www.ijeast.com](http://www.ijeast.com)

📍 India



2455-2143